



P/N: 40PT1140AX DATA SHEET

Feature



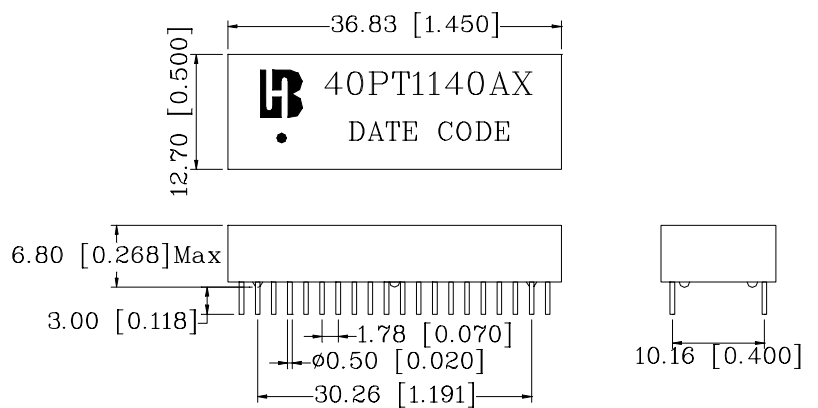
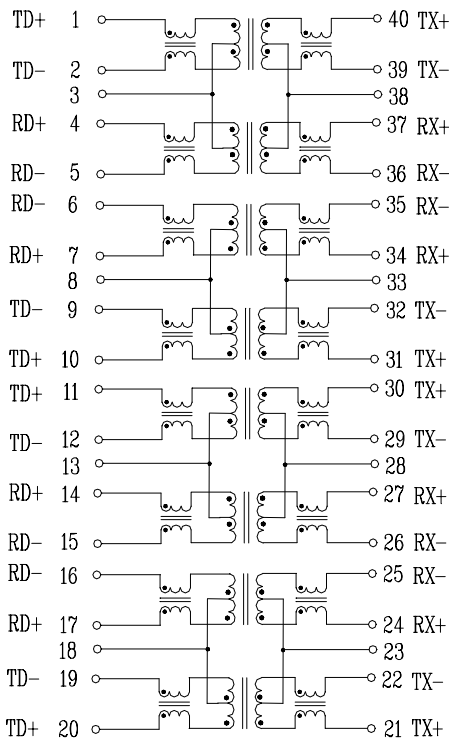
- Compliant with IEEE 802.3u and ANSI X 3.263 standards including 350 uH OCL with 8 mA bias.
- Symmetrical TX and RX channels for auto MDI/MDIX capability.
- Operating temperature range: 0°C to +70°C.
- Storage temperature range: -25°C to +105°C.

Electrical Specifications @ 25°C						
Part Number	Turns Ratio (±5%)		OCL(uH Min) @100KHz/0.1V with 8mA DC Bias	Insertion Loss (dB Max)		HI-POT (Vrms)
	TX	RX		0.1-100MHz		
40PT1140AX	1CT:1CT	1CT:1CT	350	-1.0		1500

Continue						
Part Number	Cross talk (dB Min)	DCMR (dB Min)	Return Loss (dB Min)			
	0.3-100MHz		0.3-100MHz	2-3MHz	40MHz	50MHz
40PT1140AX	-35	-30	-18	-14.4	-13.1	-12

Schematic

Mechanical



Units: mm [Inches] Tolerance: xx.x0±0.25 [0.010]
0.xx±0.05 [0.002]